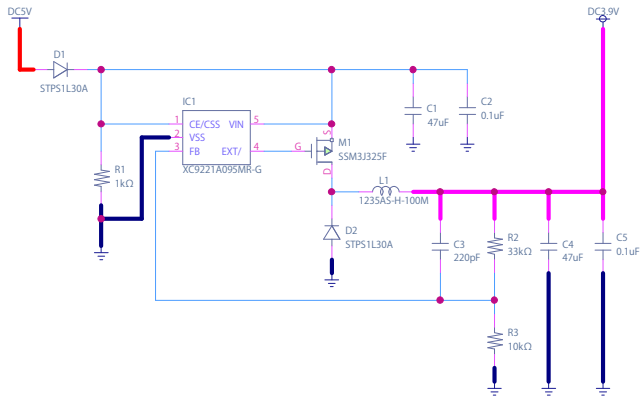
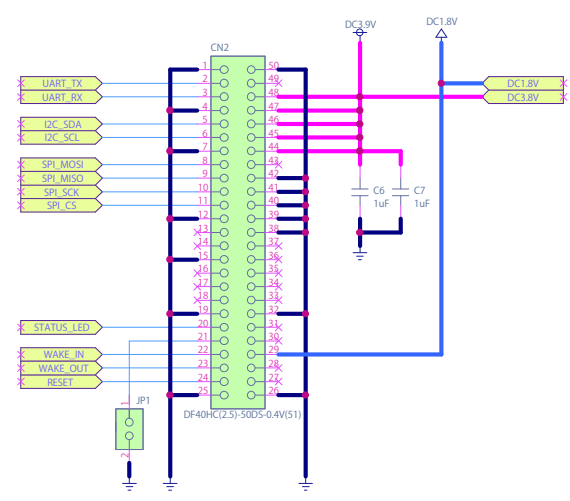


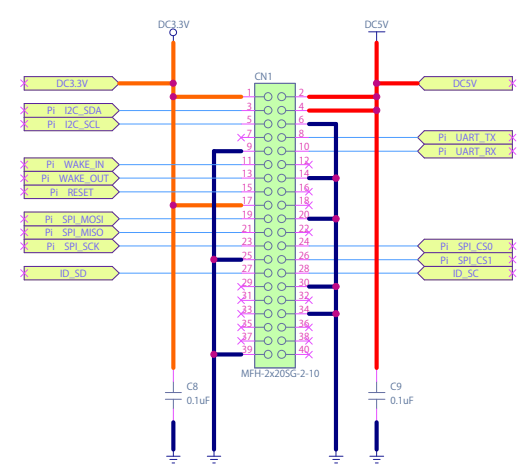
### DC/DC BLOCK



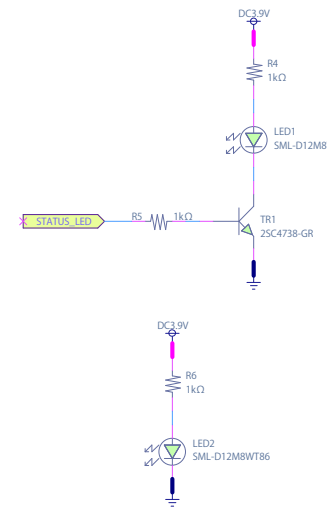
### SAKURA Module Connector



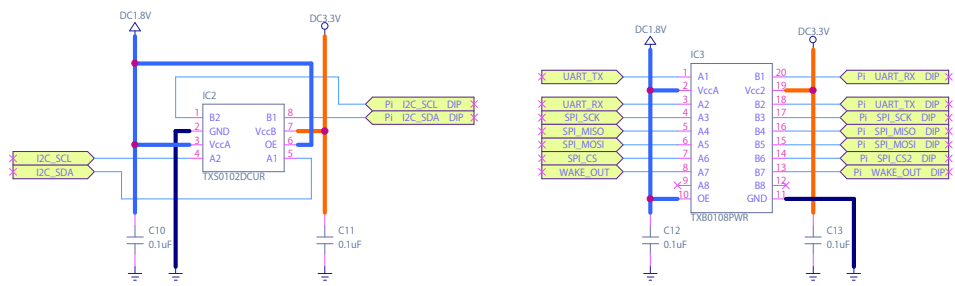
### Raspberry Pi Connector



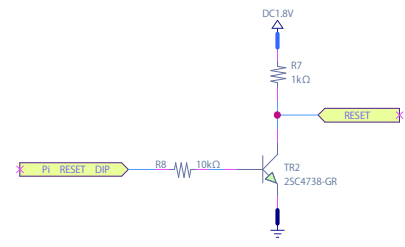
### LED BLOCK



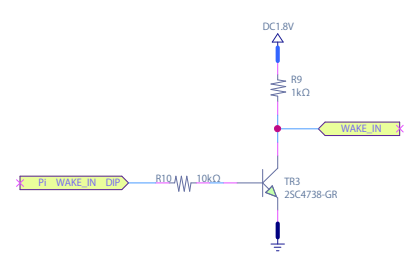
### Voltage-Level Translator BLOCK



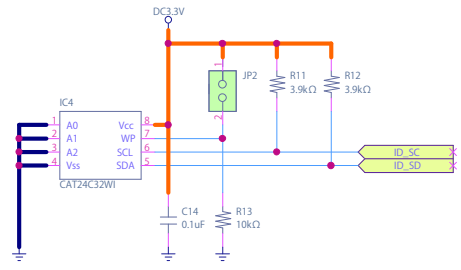
### RESET BLOCK



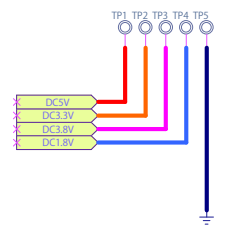
### WAKE\_IN BLOCK



### EEPROM BLOCK



### TEST Pin BLOCK



### DIP SW BLOCK

